

Features

- Vitreous china
- Elongated bowl
- Skirted bowl
- Includes wrapped seat or nightlight seat or slim seat
- Includes polished chrome push button
- Wash Down flushing system
- Dual flush 3/6 liter per flush
- 185 mm rough-in for P-trap
- 680 x 395 x 750 mm

Codes/Standards Applicable

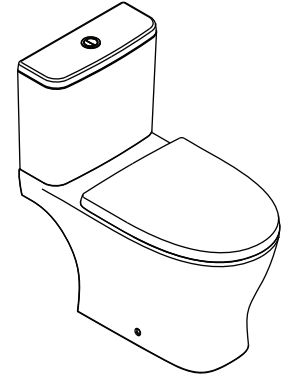
Specified model meets or exceeds the following:

- BS:EN 997
- TIS 792
- MS 1522
- ASME 112.19.2/CSA B45

TWO-PIECE TOILET WITH SEAT

K-21012K

ALSO K-21017K/22492K



Technical Information

Fixture:	
Configuration	two-piece, elongated
Water per flush	3/6 liter
Passageway	51 mm
Water area	127 x 102 mm
Water depth from rim	235 mm
Seat post hole centers	140 mm

Included Components:	
Bowl	21156K
Tank	21006H
Tank cover	1335596-SP-**
Wrapped seat (for K-21017K) or Nightlight seat (for K-21012K) or Slim seat (for K-22492K)	K-28770K K-28767K K-28773K
P-Trap connector assy	1138552

Specified Model

Model	Description	Color/Finished
K-22492K	Reach Up two-piece toilet, P-trap with slim seat	0: White
K-21017K	Reach Up two-piece toilet, P-trap with wrapped seat	0: White
K-21012K	Reach Up two-piece toilet, P-trap with nightlight seat	0: White

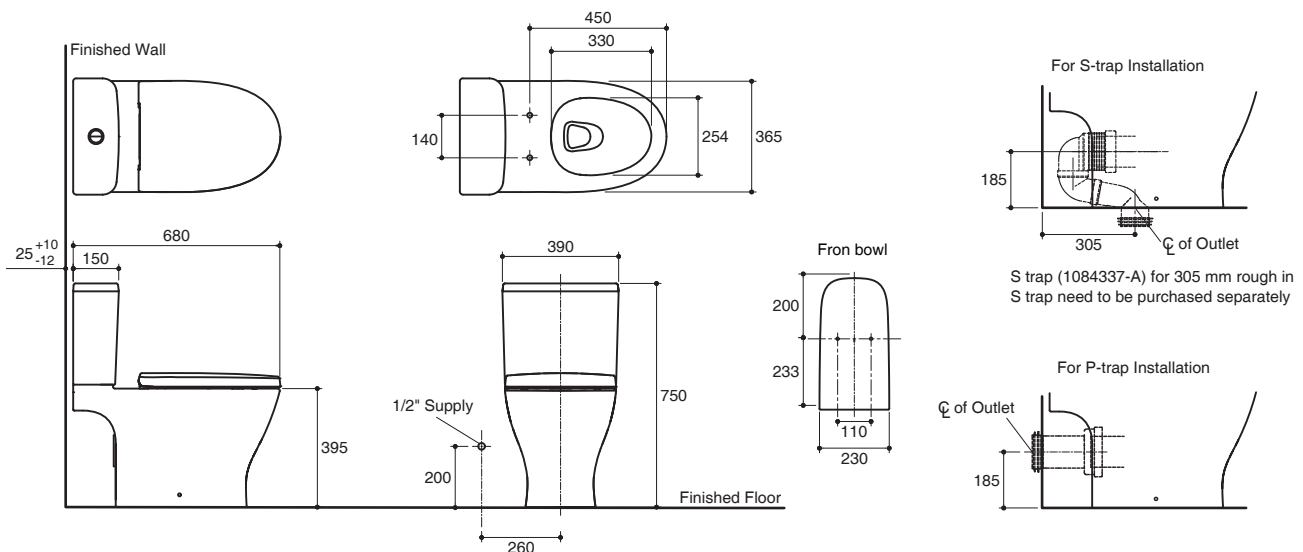
Required Accessories		Color/Finished
1065832	Water supply hose, stainless	CP: Polished Chrome
1265885-SP	Shut off valve	CP: Polished Chrome
1084337-A	S-Trap connector	N/A

Installation Notes

Install this product according to the installation guide.

Dimensions are approximate.

Unit: mm



Note: The recommended dimension for installation can be adjusted according to user preferences and layout.

Kohler Co. reserves the right to make changes in product characteristics, packaging or availability at anytime without notice.

Product Diagram